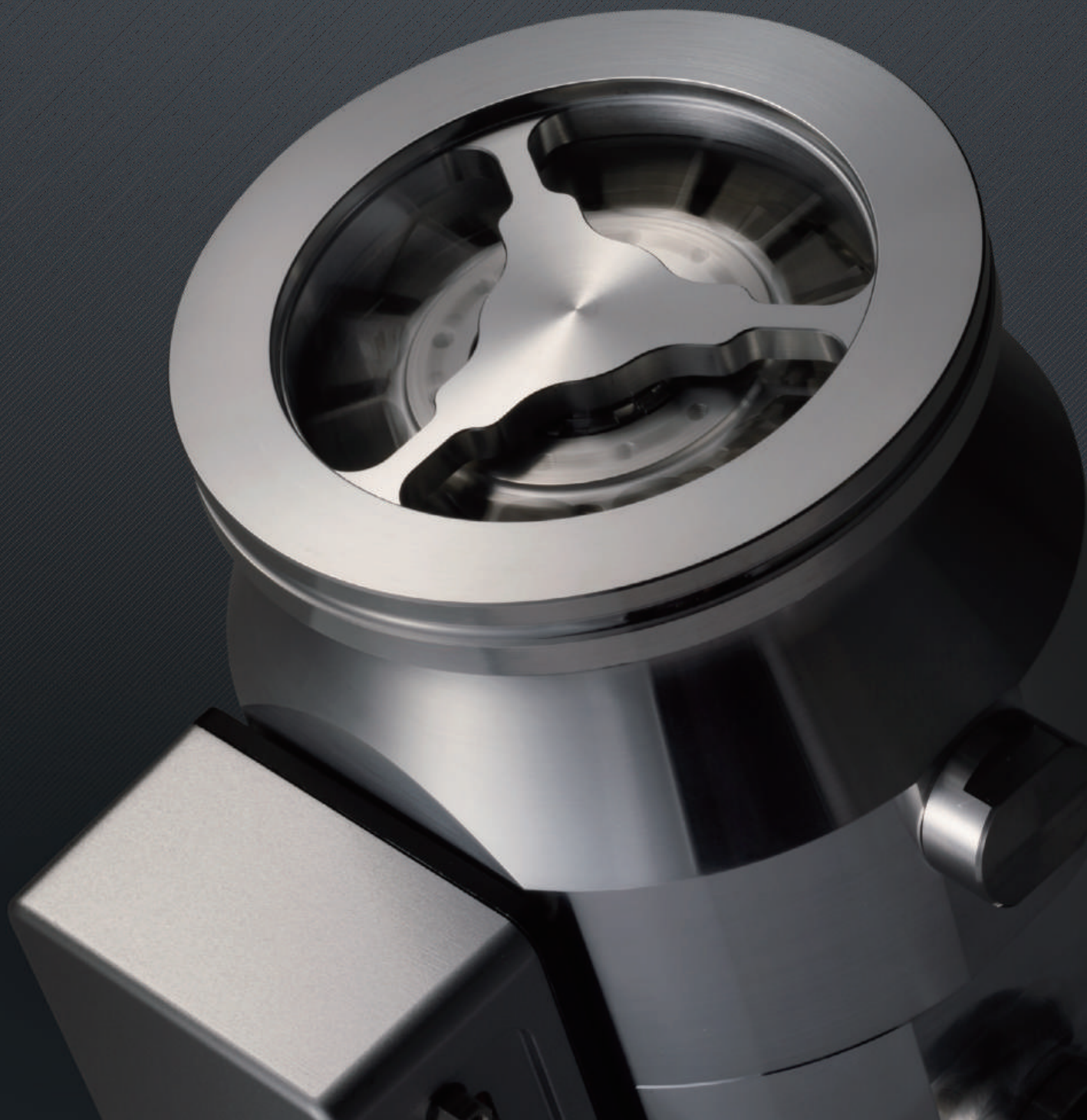


Hybrid Bearing
Turbo Molecular Pumps
TMP-B70/TMP-B300



Features

Long-life, High performance, Excellent ease of operation

- Optimization of the bearing section and the control mechanism leads to lower running cost.
- TMP-B70 and TMP-B300 have higher hydrogen compression ratio.
- Local operation available
- Mounting direction free

Combination of magnetic and ceramic bearings

A proprietary damping mechanism is used to achieve low vibration and bearing cooling function, additionally provides high reliability and long service life.

High backing pressure and high compression ratio for hydrogen gas

The combination of turbine blades and molecular drag pump achieves ultra high vacuum even with high backing pressure levels.

Compression ratio for hydrogen gas is

TMP-B70: 4×10^5

TMP-B300: 1×10^5

If used in combination with a small dry vacuum pump, such as a diaphragm pump, it can achieve ultra-high vacuum pressures.

Integrated controller

An integrated controller makes it possible to start, stop, or reset the unit locally.

The unit can also be operated by RS-485 and remote contact signals.

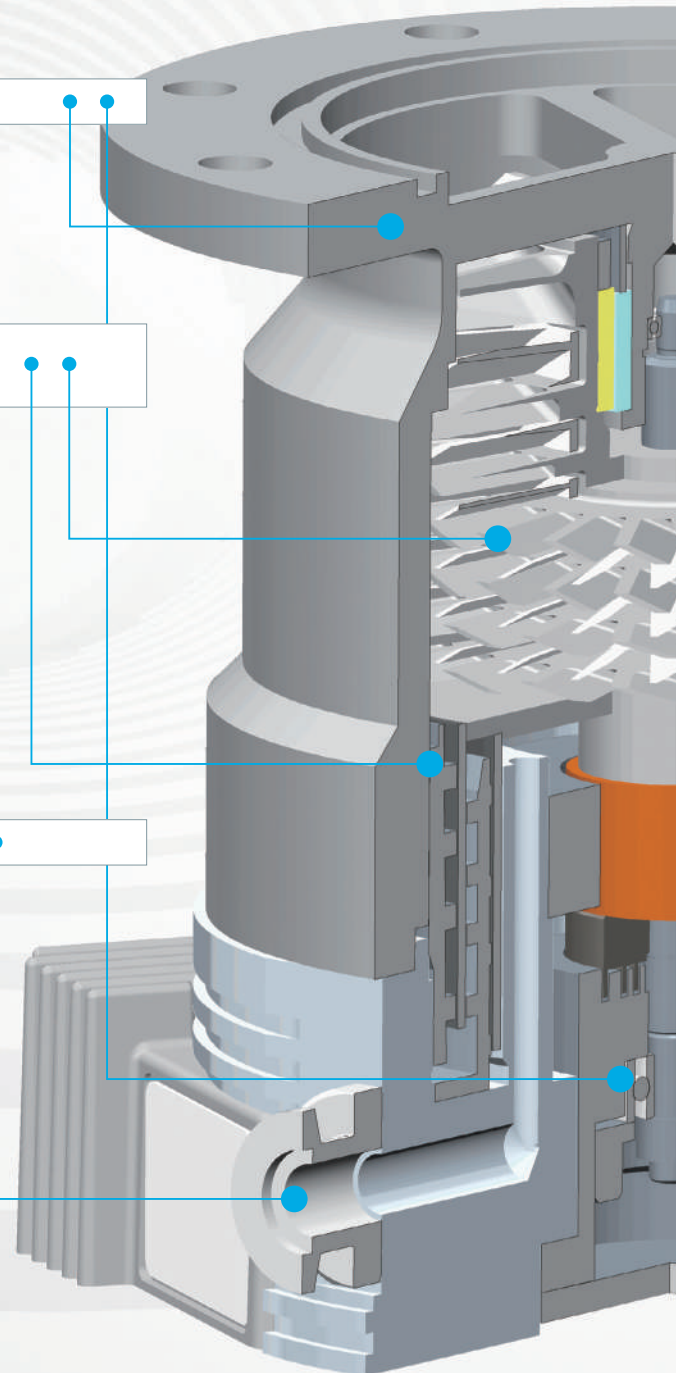
Computer communication software is also available. Input voltage is 24 V DC.

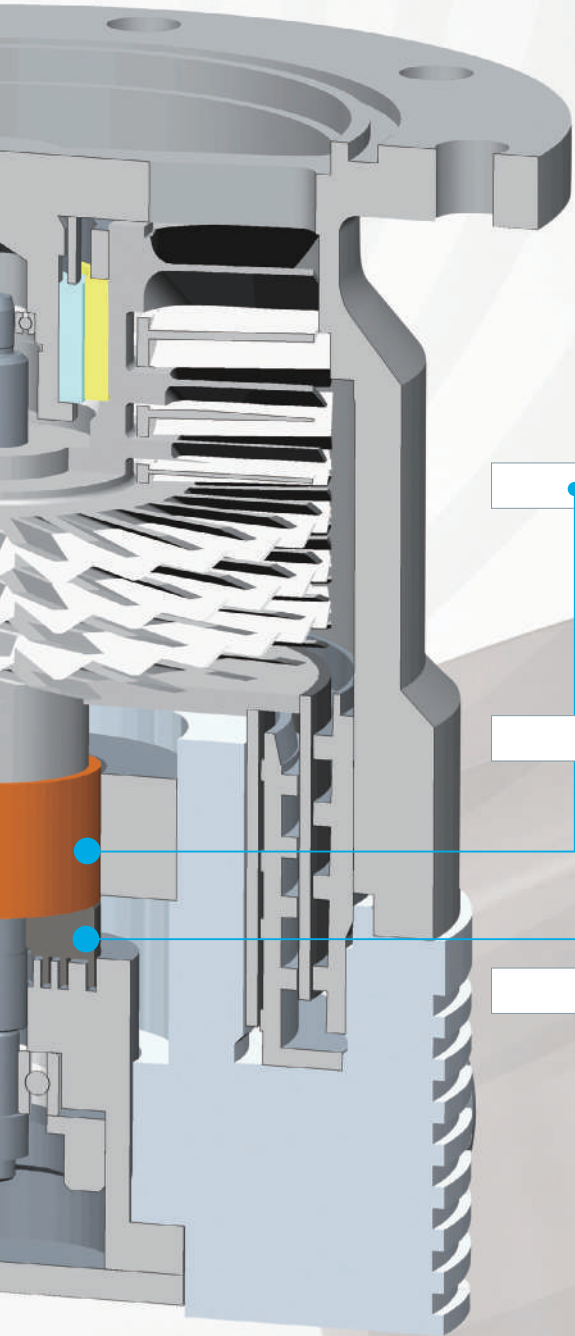


TMP-B300



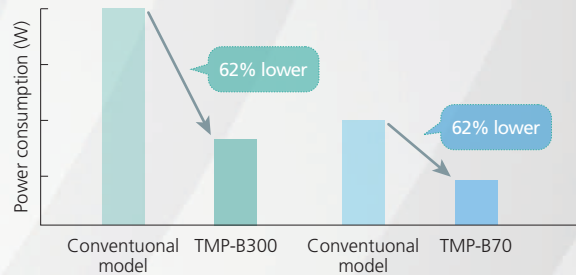
TMP-B70





Low power consumption

This environmentally friendly series features a newly developed controller and a high-efficiency motor, which reduce power consumption.



※ Compared to our conventional model when in no load condition

Low heat-generation motor

Reducing heat generated from the motor helps prevent the bearing temperature from increasing and extends the service life.

Labyrinth seal prevents backflow (TMP-B300)

This seal helps ensure a clean vacuum by preventing the grease (base oil) used in the ceramic bearing from diffusing.

Mountable in any orientation

The pump unit can be mounted in vertical, horizontal, diagonal, or inverted orientation.



TMP-B300 (ISO100K)

Specifications

TMP-B70



This product is certified as Shimadzu's Eco-Products Plus. 40% reduction in product weight, 56% reduction in product volume, 51% reduction in footprint (Compared with conventional Shimadzu's products)

Turbo molecular pump model		TMP-B70		
Cooling method		Natural convection	Forced air	Water (Note 1)
Ultimate pressure (Note 3)	After baking	(Note 2)	10 ⁻⁸ Pa order (Note 3)	10 ⁻⁸ Pa order (Note 3)
	Non-baking	10 ⁻⁶ Pa order	10 ⁻⁶ Pa order	10 ⁻⁶ Pa order
Pumping speed (Note 4)	N ₂	70 L/s	70 L/s	70 L/s
	He	60 L/s	60 L/s	60 L/s
	H ₂	49 L/s	49 L/s	49 L/s
Pumping speed (NW 40)	N ₂	41 L/s	41 L/s	41 L/s
	He	46 L/s	46 L/s	46 L/s
	H ₂	42 L/s	42 L/s	42 L/s
Compression ratio	N ₂	> 1×10 ⁹	> 1×10 ⁹	> 1×10 ⁹
	He	4×10 ⁷	4×10 ⁷	4×10 ⁷
	H ₂	4×10 ⁵	4×10 ⁵	4×10 ⁵
Critical backing pressure (N ₂ gas, 87000 rpm)		1400 Pa	1400 Pa	1400 Pa
Maximum allowable continuous backing pressure (Note 5)	N ₂	300 Pa (ambient ≤25°C)	900 Pa (ambient ≤25°C)	900 Pa (ambient ≤25°C)
		200 Pa (ambient ≤30°C)	600 Pa (ambient ≤35°C)	600 Pa (ambient ≤40°C)
Maximum allowable N ₂ gas throughput at continuous pumping		15 SCCM (ambient 25°C) 10 SCCM (ambient 30°C)	40 SCCM (ambient 25°C) 30 SCCM (ambient 35°C)	40 SCCM (ambient 25°C) 30 SCCM (ambient 40°C)
Weight	DN 63CF (ICF 114)	4.8 kg	5.0 kg	4.9 kg
	VG 65	3.1 kg	3.3 kg	3.2 kg
	ISO 63K	2.8 kg	3.0 kg	2.9 kg
	KF 40	2.9 kg	3.1 kg	3.0 kg
Bearing type		Magnetic bearing and ceramic ball bearing		
Inlet flange		DN 63CF (ICF 114), VG 65, ISO 63K, KF 40		
Outlet flange		KF 16		
Rotated speed		87000 rpm		
Start-up time (up to 80 %)		1.7 minutes		
Mounting position		In any desired direction		
Noise [by Shimadzu's measurement method]		48 dB(A) or less		
Admissible ambient magnetic field	Radial direction	3 mT		
	Axial direction	15 mT		
Input electric power	Voltage	24 V DC ± 5 %		
	Maximum power	120 W		

Note 1: Water temperature : ≥ dew point, 5 - 25°C Flow rate : 1.25 L/min

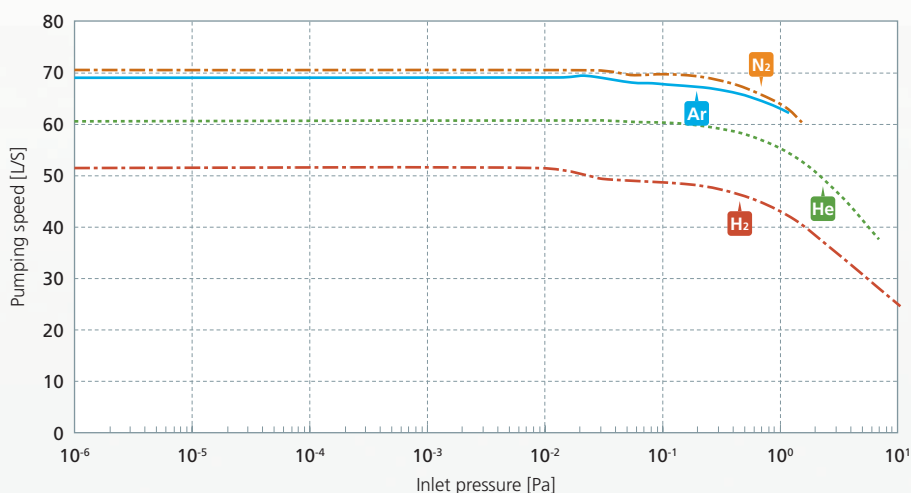
Note 2: Cannot bake with natural convection.

Note 3: Only pumps with a CF flange can be baked. When baked by a two-stage oil-sealed rotary pump.

Note 4: Without protective net. Pumping speed for N₂ is 68 L/s with a protective net

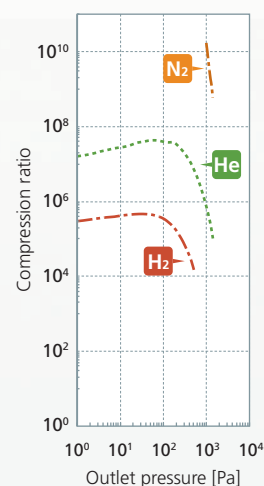
Note 5: Maximum allowable outlet pressure in which the pump can be operated continuously when inlet pressure is ultimate pressure.

Pumping speed curve



Note : Without a protective net

Compression ratio curve



TMP-B300



This product is certified as Shimadzu's Eco-Products Plus.
 58% reduction in power consumption, 72% reduction in product weight, 73% reduction in product volume, 79% reduction in footprint
 (Compared with conventional Shimadzu's products)

Turbo molecular pump model		TMP-B300		TMP-B300L
Cooling method		Natural convection	Forced air	Water (Note 1)
Ultimate pressure (Note 3)	After baking	(Note 2)	10 ⁻⁸ Pa order (Note 3)	10 ⁻⁸ Pa order (Note 3)
	Non-baking	10 ⁻⁶ Pa order	10 ⁻⁶ Pa order	10 ⁻⁶ Pa order
Pumping speed (Note 4)	N ₂	280 L/s	280 L/s	280 L/s
	He	270 L/s	270 L/s	270 L/s
	H ₂	220 L/s	220 L/s	220 L/s
Compression ratio	N ₂	> 1×10 ⁹	> 1×10 ⁹	> 1×10 ⁹
	He	7×10 ⁶	7×10 ⁶	7×10 ⁶
	H ₂	1×10 ⁵	1×10 ⁵	1×10 ⁵
Critical backing pressure (N ₂ gas, 60000 rpm)		1300 Pa	1300 Pa	1300 Pa
Maximum allowable continuous backing pressure (Note 5)	N ₂	100 Pa (ambient ≤ 35°C)	1000 Pa (ambient ≤ 25°C) 930 Pa (ambient ≤ 35°C)	1300 Pa (ambient ≤ 40°C)
Maximum allowable N ₂ gas throughput at continuous pumping		10 SCCM (ambient 25°C) 4 SCCM (ambient 35°C)	100 SCCM (ambient 25°C) 40 SCCM (ambient 35°C)	240 SCCM (ambient ≤ 40°C)
Weight	DN 100CF (ICF152)	9.4 kg	9.7 kg	10.1 kg
	VG 100	6.3 kg	6.6 kg	7.0 kg
	ISO 100K	6.0 kg	6.3 kg	6.7 kg
Bearing type		Magnetic bearing and ceramic ball bearing		
Inlet flange		DN 100CF, VG 100, ISO 100K		
Outlet flange		KF 16		
Rotated speed		60000 rpm		
Start-up time (up to 80 %)		3.5 minutes		
Mounting position		In any desired direction		
Noise [by Shimadzu's measurement method] (Note 6)		50 dB(A) or less		
Admissible ambient magnetic field	Radial direction	3 mT		
	Axial direction	15 mT		
Input electric power	Voltage	24 V DC ± 5 %		
	Maximum power	180 W		

Note 1: Water temperature : ≥ dew point, ≤ 28°C Flow rate : 1 L/min

Note 2: Cannot bake with natural convection.

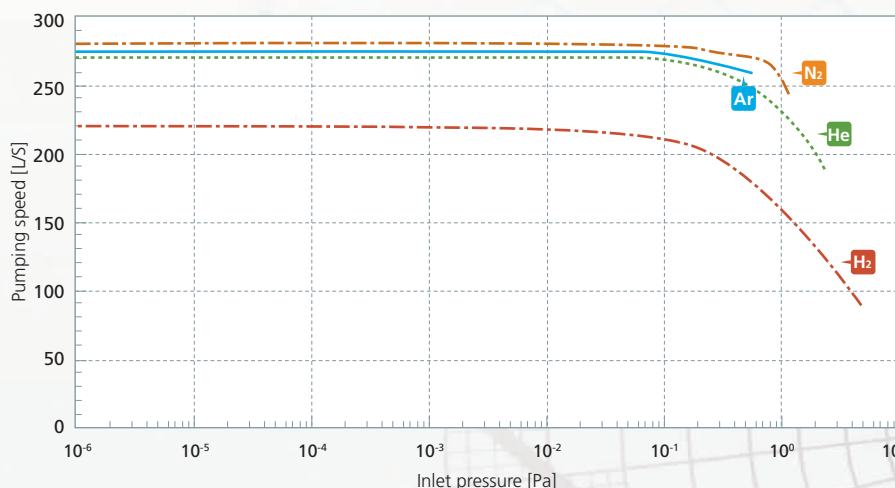
Note 3: Only pumps with a CF flange can be baked. When baked by a two-stage oil-sealed rotary pump.

Note 4: Without protective net. Pumping speed for N₂ is 260 L/s with a protective net.

Note 5: Maximum allowable outlet pressure in which the pump can be operated continuously when inlet pressure is ultimate pressure.

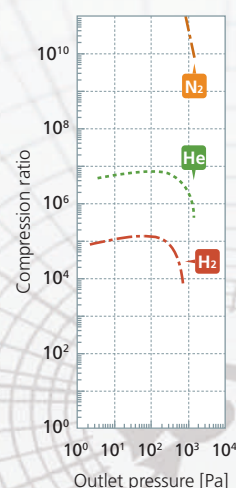
Note 6: Measured for the ISO flange model.

Pumping speed curve



Note : Without a protective net

Compression ratio curve



Dimensions

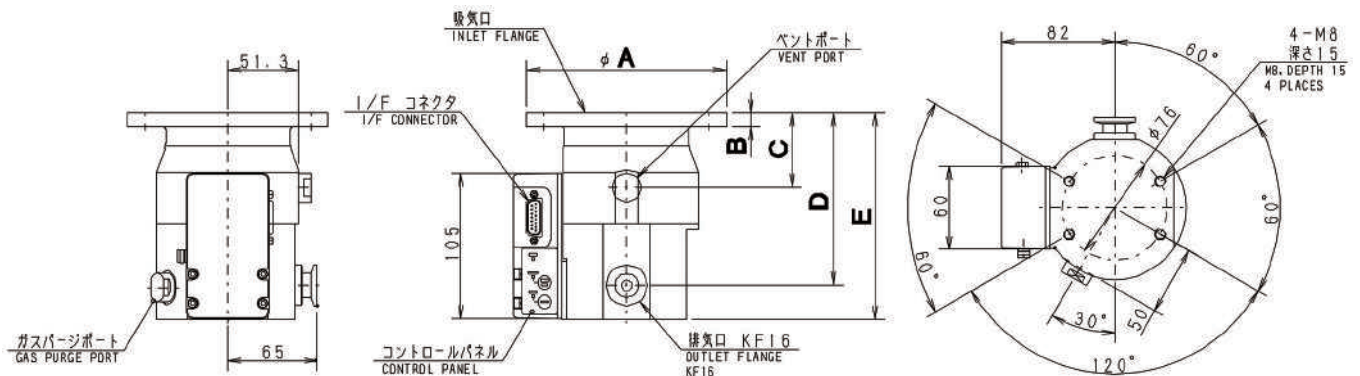
Dimensions do not include accessories.

TMP-B70

(units: mm)

Inlet flange	øA	B	n-ød	P.C.D.	C	D	E
DN 63CF (ICF114)	114.3	17	8-ø8.4	ø92.2	72	142.2	167.2
VG 65	145	10	4-ø12	ø120	53.8	124.5	149
ISO 63K	95	12	-	-	53.8	124.5	149
KF 40	55	-	-	-	72.8	143.5	168

Dimensions E is the same regardless of the cooling method.

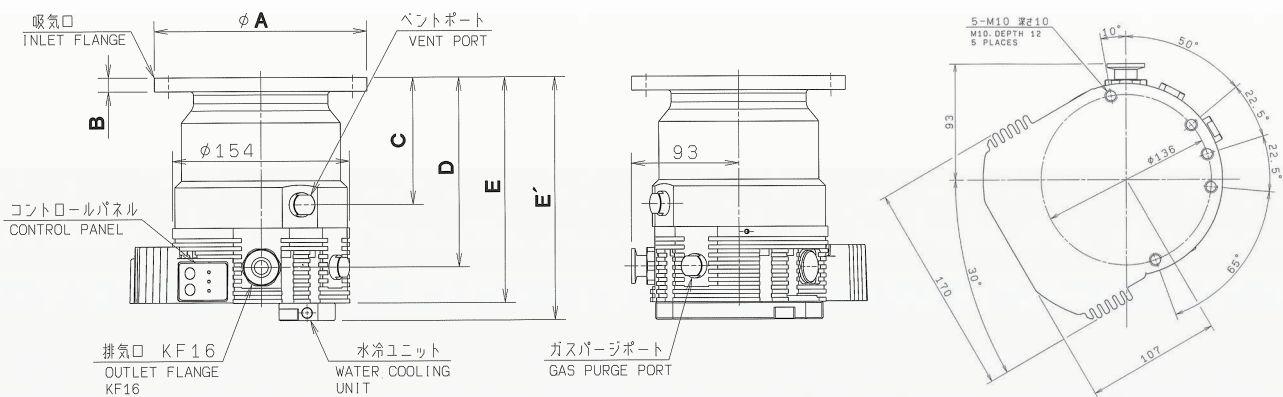


TMP-B300

(units: mm)

Inlet flange	øA	B	n-ød	P.C.D.	C	D	E	E'
DN 100CF (ICF152)	152.4	19.5	16-ø8.5	ø130.3	122	176	207	222
VG 100	185	12	8-ø12	ø160	110	164	195	210
ISO 100K	130	12	-	-	110	164	195	210

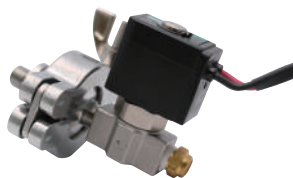
The E dimension depends on the cooling method. (E : Air cooling, E' : Water cooling)



Accessories

Venting valve

The venting valve is connected to the venting port on the casing of the main pump unit, and is used to inject venting gas when stopping the pump to restore atmospheric pressure inside the pump. It then prevents oil vapor of the backing pump from diffusing back toward the inlet port. By using the interface cable, power can be supplied from the controller.



Baking heater

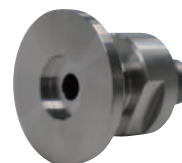
Discharging gases by controlling temperature at high vacuum side of a pump casing to 85 °C helps to reach lower pressure in shorter time. Please switch the baking heater ON/OFF by the customer.



Gas purge adapter

When evacuating heavier gases such as argon, the prevention of dust entering into a bearing by N₂ purge reduces the influence on a bearing.

※A flowmeter is NOT included. Please use a flowmeter with an adjustment valve.



Cooling options

Use an air cooling fan or a water cooling unit in the following cases.

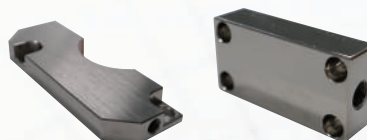
- » If ambient temperature becomes high (TMP-B70: >30°C, TMP-B300: >35°C)
- » If gas is supplied from inlet,
- » If the backing pressure is high,
- » If a baking heater is used,

Air cooling fan

An air cooling fan can receive power from connector on the controller. It is possible to install an air cooling fan by the customer.



Water cooling unit



Example of installation

Venting valve

Air cooling fan

Gas purge adapter



TMP-B70 (VG 65)

Baking heater

Water cooling unit



TMP-B70 (DN 63CF)

This figure is an example.

Display unit with power supply: EI-DPS240

Features

- Easy connection just only connecting TMP cable
- Display panel with excellent visibility
- Intuitive operation
- A vacuum gauge can be connected
Vacuum pressure is indicated by receiving 0-10 VDC voltage which correspond to logarithm of pressure.
- Convenient interlock functions

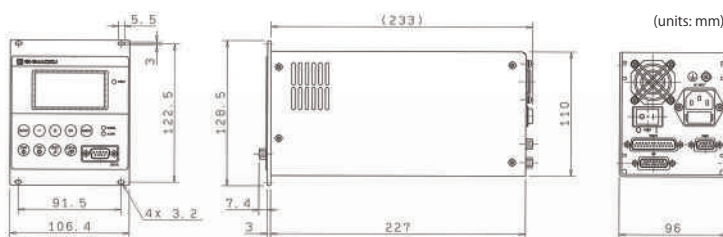


Delayed start-up of TMP	EI-DPS240 sends start signal to a backing pump, then starts the TMP in a preset time.
TMP start-stop which interlocked vacuum gauges	EI-DPS240 sends start signal to a backing pump, then starts the TMP after a measured pressure reaches a preset value. EI-DPS240 stops the backing pump and the TMP when the measured pressure exceeds a preset value.

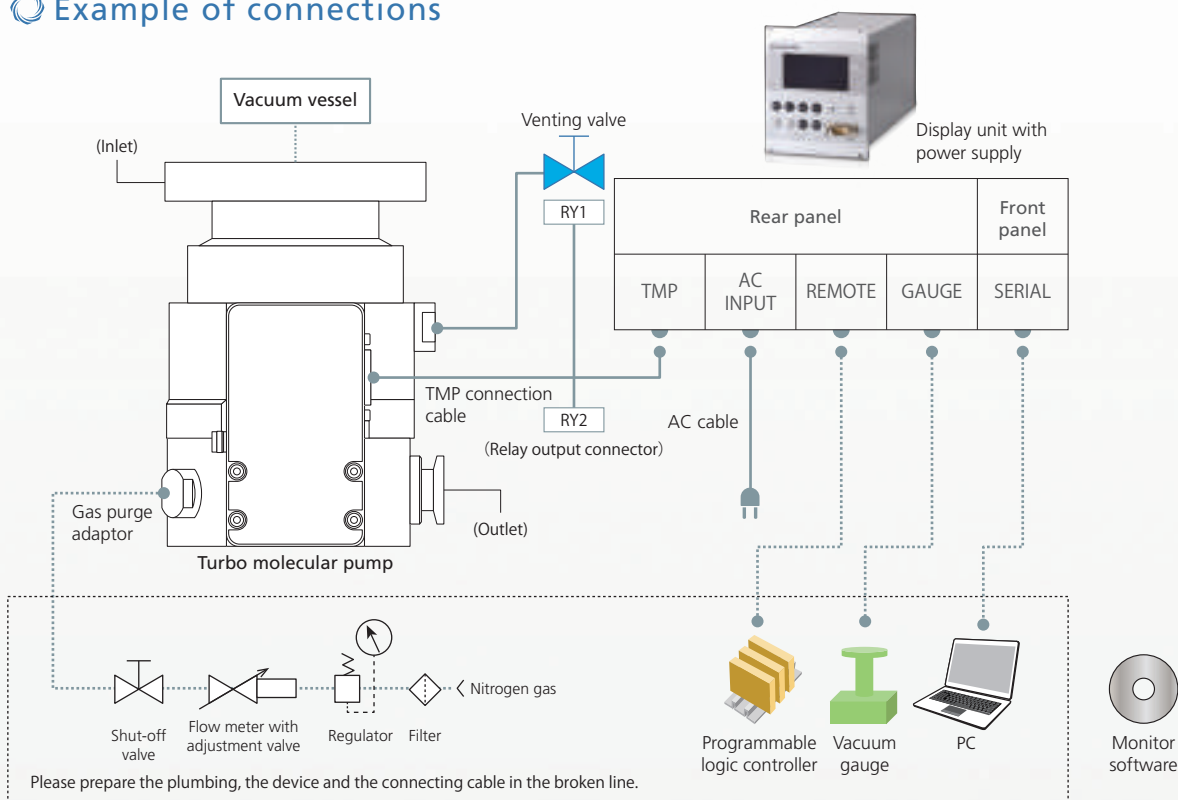
Specifications

Items	Details
Model	EI-DPS240
Input voltage	100-240 V AC (+10 %/-15 %) Single-phase 50/60 Hz
Power consumption	Maximum 280 VA
Weight	2.0 kg

Dimensions



Example of connections



Power supply set

Features

- Simple configuration without pressure control and interlock functions.
- Connect the interface cable to supply 24 VDC to the turbo molecular pump.



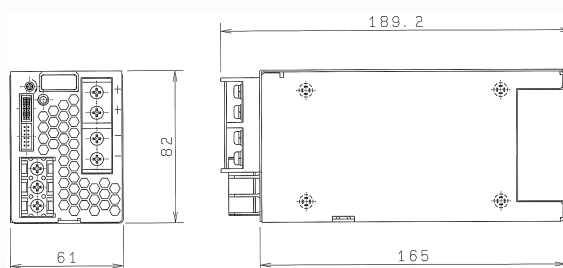
- Power supply set
- Interface cable (accessory)

A minimum 24 V DC 120 W power supply is required when using TMP-B70. Also a minimum 24 V DC 180 W power supply is required when using TMP-B300. An AC cable is included.

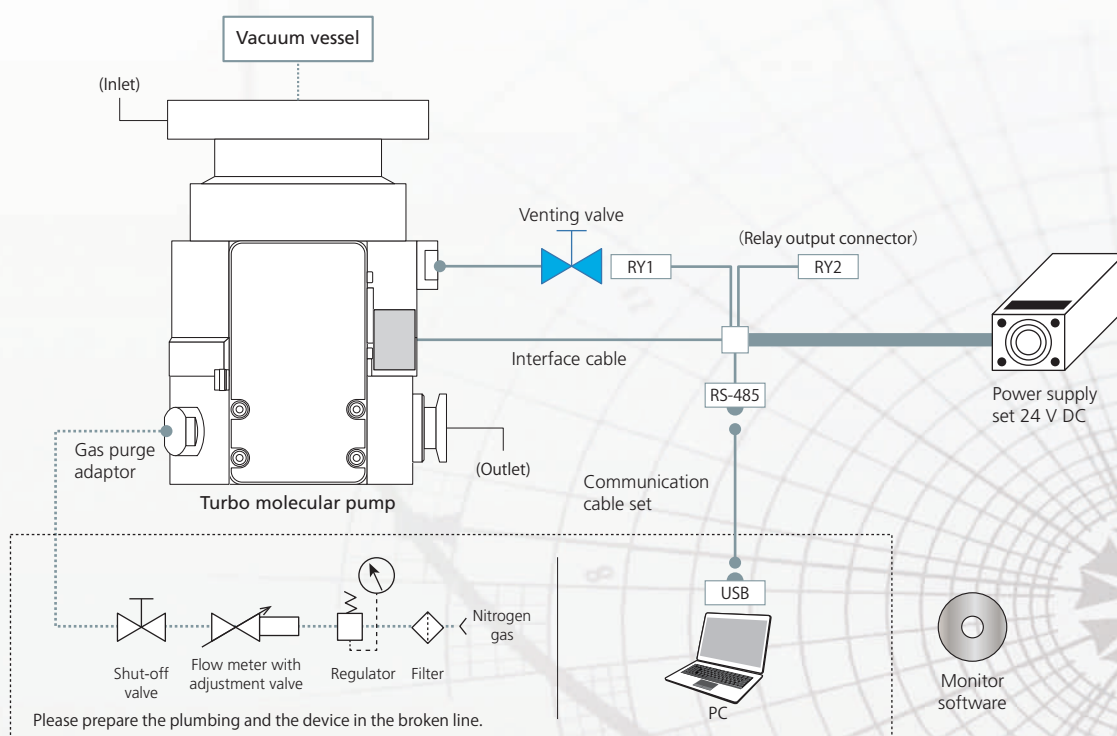
Specifications

Items		Details
Input	Voltage	85~265 V AC or 120~330 V DC
	Frequency	Single-phase 50/60 Hz
Output	Voltage	24 V DC
	Maximum power	336 W
Operating temperature		-10~+70 °C
Weight		1.0 kg

Dimensions



Example of connections



Main unit and accessories

TMP-B70

Regardless of the cooling method, the P/N is common.

Description	Remarks	P/N
TMP-B70, DN 63CF (ICF114)	Inlet flange: DN 63CF (ICF114)	263-48513-01
TMP-B70, VG 65	Inlet flange: VG 65	263-48513-02
TMP-B70, ISO 63K	Inlet flange: ISO 63K	263-48513-03
TMP-B70, KF 40	Inlet flange: KF 40	263-48513-04



ICF114



VG65



ISO63K



KF40

TMP-B300

For natural convection or Forced air cooling method

Description	Remarks	P/N
TMP-B300, DN 100CF (ICF152)	Inlet flange: DN 100CF (ICF152)	263-18740-01
TMP-B300, VG 100	Inlet flange: VG 100	263-18740-02
TMP-B300, ISO 100K	Inlet flange: ISO 100K	263-18740-03

For water cooling method

Description	Remarks	P/N
TMP-B300L, DN 100CF (ICF152)	Inlet flange: DN 100CF (ICF152)	263-48356-01
TMP-B300L, VG 100	Inlet flange: VG 100	263-48356-02
TMP-B300L, ISO 100K	Inlet flange: ISO 100K	263-48356-03



ICF152



VG100



ISO100K

No	Description	Remarks	P/N	
			TMP-B70	TMP-B300
1	Air cooling fan	Directly attached to side of pump body (Note 1)	263-46375	263-44455
		Directly attached to bottom of pump body (Note 1)	263-46375-01	
2	Water cooling unit	Directly attached to side of pump body	263-46386	
		Directly attached to bottom of pump body		263-44914-02
3	Venting Valve	Normally close	263-91168	
4	Gas purge adapter	KF 10	263-45673-01	
5	Baking heater, B70, 100 V	Only for CF flange model, 100 V AC, 65 W (Note 2)	263-46382-01	
	Baking heater, B70, 230 V	Only for CF flange model, 230 V AC, 65 W (Note 2)	263-46382-02	
	Baking heater, B300, 100 V	Only for CF flange model, 100 V AC, 200 W (Note 2)		263-44652-01
	Baking heater, B300, 230 V	Only for CF flange model, 230 V AC, 200 W (Note 2)		263-44652-02
6	Clamp for outlet	KF 16	035-06032-01	
7	Centerring ring for outlet	KF 16	035-06032-12	
8	Clamp for inlet	For KF 40	263-46333	
9	Single claw clamp for inlet	4-M8	263-90540-01	
		8-M8		263-90540-02
10	Double claws clamp for inlet	4-M10	263-90541	
11	Monitor software TypeB	For TMP-B70/TMP-B300	263-45722	

(Note 1) Please select according to mounting position of an air cooling fan.

(Note 2) Please use a baking heater together with an air cooling fan or a water cooling unit. In case of using 200 V AC, please select for 230 V AC.

When using EI-DPS240 (Note 3)				
No	Description	Remarks	P/N	
20	EI-DPS240	For use in Japan	263-48164	
		For use in except Japan	263-48164-01	
21	AC cable JU	Power supply cable for use in Japan and North America	071-60821-08	
	AC cable EU	Power supply cable for use in Europe	071-60845-01	
	AC cable CN	Power supply cable for use in China	071-60827-05	
22	Connecting cable for TMP, 1MT	Connecting cable for EI-DPS240 and TMP With conector for venting valve Length : 1m, 3m, 5m, 7m, 10m	263-91228-01	
	Connecting cable for TMP, 3MT		263-91228-03	
	Connecting cable for TMP, 5MT		263-91228-05	
	Connecting cable for TMP, 7MT		263-91228-07	
	Connecting cable for TMP, 10MT		263-91228-10	

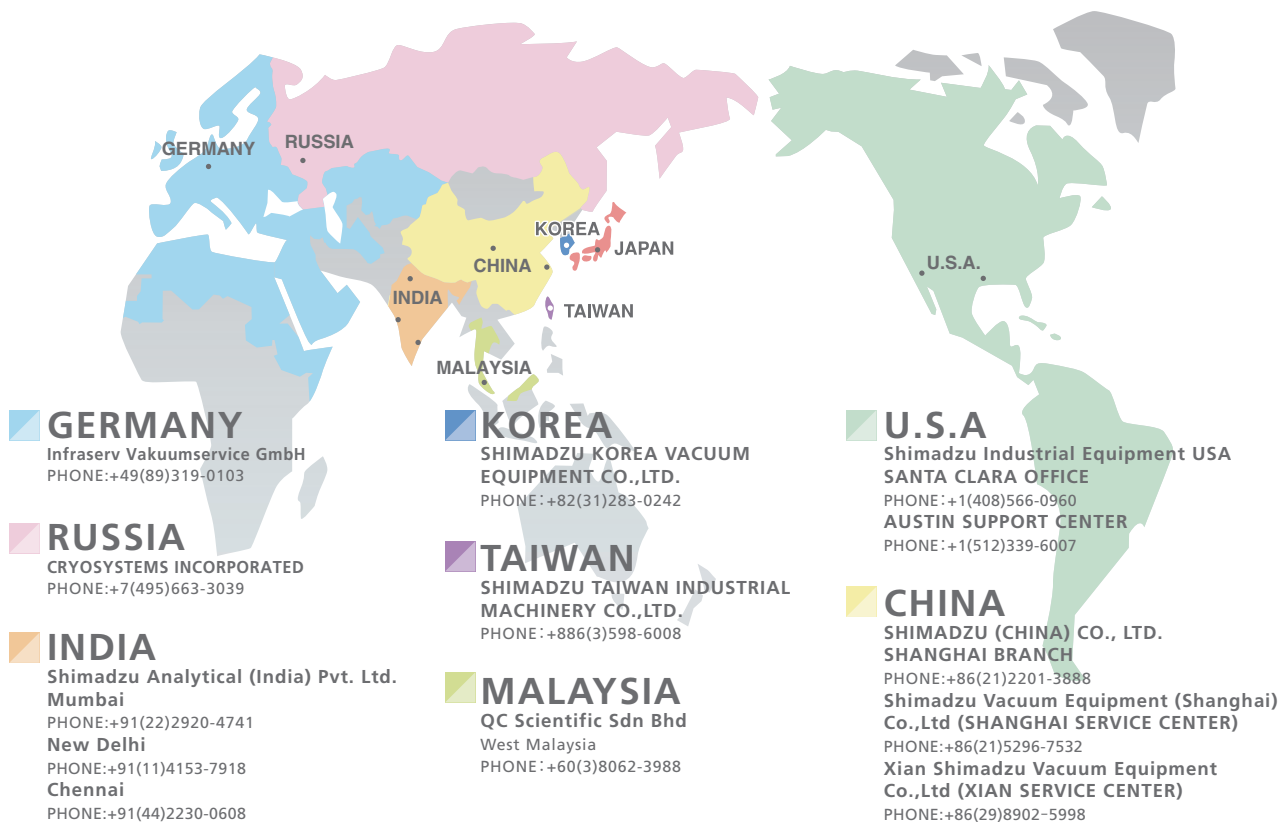
When using power supply set (Note 3)				
No	Description	Remarks	P/N	
30	Power supply set DC24V JU, 1MT	Input voltage: 100-240 V AC With a 100 V AC plug for use in Japan and North America	263-44497-01	
	Power supply set DC24V JU, 3MT		263-44497-03	
	Power supply set DC24V JU, 5MT		263-44497-05	
	Power supply set DC24V EU, 1MT		263-44497-51	
	Power supply set DC24V EU, 3MT		263-44497-53	
	Power supply set DC24V EU, 5MT		263-44497-55	
31	Interface cable, 1MT	Connecting cable for Power supply set and TMP With connectors for RS485 and venting valve Length: 1m, 2m, 3m, 5m	263-44408-01	
	Interface cable, 2MT		263-44408-02	
	Interface cable, 3MT		263-44408-03	
	Interface cable, 5MT		263-44408-05	
32	Interface connector	Connector for 24 V DC supply and communications D-sub 15 pin female with connector hood	263-45677	
33	Communication cable set, 1MT	USB-RS485 coverter and RS485 communication cable Length: 1m, 3m, 5m	263-45678-01	
	Communication cable set, 3MT		263-45678-03	
	Communication cable set, 5MT		263-45678-05	

(Note 3) Please contact Shimadzu about a power supply and a cable specifications for use outside Japan.

Turbo Molecular Pump Service Network

Our global network provides you safety, trust and satisfaction promptly.
In need of overhaul or repairment, please contact to our service bases.

If your area is not marked in the map below, Please contact to the closest base or our headquarters in Kyoto.
We kindly ask for your understanding that we are not able to provide our service in certain areas even marked in the map below.



<p>JAPAN Shimadzu Corporation 1 Nishinokyo Kuwabara-cho, Nakagyo-ku, Kyoto 604-8511</p>	<p>PHONE: +81(75)823-1693 FAX: +81(75)823-3684 E-mail: industry@group.shimadzu.co.jp URL: https://www.shimadzu.com/industry/index.html</p>
--	--



This product is certified as Shimadzu's Eco-Products Plus.



Management System
ISO 9001:2015
www.tuv.com
ID: 0091004755



Management System
ISO 14001:2015
www.tuv.com
ID: 9108658638



Shimadzu Corporation
www.shimadzu.com/industry/

Company names, product/service names and logos used in this publication are trademarks and trade names of Shimadzu Corporation or its affiliates, whether or not they are used with trademark symbol "TM" or "®".
Third-party trademarks and trade names may be used in this publication to refer to either the entities or their products/services. Shimadzu disclaims any proprietary interest in trademarks and trade names other than its own.

For Research Use Only. Not for use in diagnostic procedures.
The contents of this publication are provided to you "as is" without warranty of any kind, and are subject to change without notice. Shimadzu does not assume any responsibility or liability for any damage, whether direct or indirect, relating to the use of this publication.